

TEST REPORT

REPORT NO.: HV-11-05689X

PAGE: 1 OF 3

DATE: SEPTEMBER 14, 2011

The following merchandise was submitted and identified by the vendor as :

Style/Item No. : Ceramic PRO

Manufacturer/Vendor : Nanoshine LTD.

Country of Origin : Taiwan

We have tested the submitted sample(s) as requested and the following results were obtained :

Test Required : (According to client's test specification, please see following sheets in detail.)

Hardness by Pencil Test

Test Result :

-PLEASE SEE ATTACHED PAGE-

Date of Receive : SEPTEMBER 01, 2011

Date of Testing : SEPTEMBER 01, 2011~ SEPTEMBER 06, 2011

Signed for and on behalf of
SGS Taiwan Ltd.



Carlos Kao
Asst. Manager

TEST REPORT

REPORT NO.: HV-11-05689X

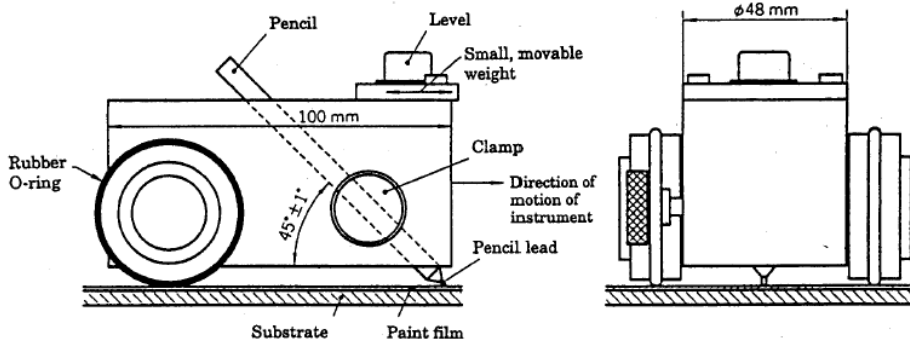
PAGE: 2 OF 3

DATE: SEPTEMBER 14, 2011

Hardness by Pencil Test

Test Equipment:

Name	Brand
Pencil	MITSU-BISHI uni



Lab Environmental Conditions:

Ambient Temperature: $23 \pm 2^\circ\text{C}$

Relative humidity: $50 \pm 5\% \text{RH}$

Test Method/ Specification:

JIS K5400(1990) Testing Methods for Paints (Scratch Hardness)

The variety of pencil hardness:

6B - 5B - 4B - 3B - 2B - B - HB - F - H - 2H - 3H - 4H - 5H - 6H - 7H - 8H - 9H

Soft ←-----→ Hard

Load: 1000 g

Test Result:

Above 9H

TEST REPORT

REPORT NO.: HV-11-05689X

PAGE: 3 OF 3

DATE: SEPTEMBER 14, 2011

Test Photo:



— The End of Test Report —