

## TEST REPORT

REPORT NO.: HV-11-05153X  
PAGE: 1 OF 6  
DATE: AUGUST 23, 2011

The following merchandise was submitted and identified by the vendor as :

Style/Item No. : Ceramic PRO  
Manufacturer/Vendor : Nanoshine LTD  
Country of Origin : Taiwan

We have tested the submitted sample(s) as requested and the following results were obtained :

Test Required : (According to client's test specification, please see following sheets in detail.)

- (1) Hardness by Pencil Test
- (2) Alkali resistance
- (3) Acid resistance
- (4) Salt solution resistance

Test Result :

-PLEASE SEE ATTACHED PAGE-

Date of Receive : AUGUST 12, 2011

Date of Testing : AUGUST 12, 2011~ AUGUST 19, 2011

Signed for and on behalf of  
SGS Taiwan Ltd.



Carlos Kao  
Supervisor

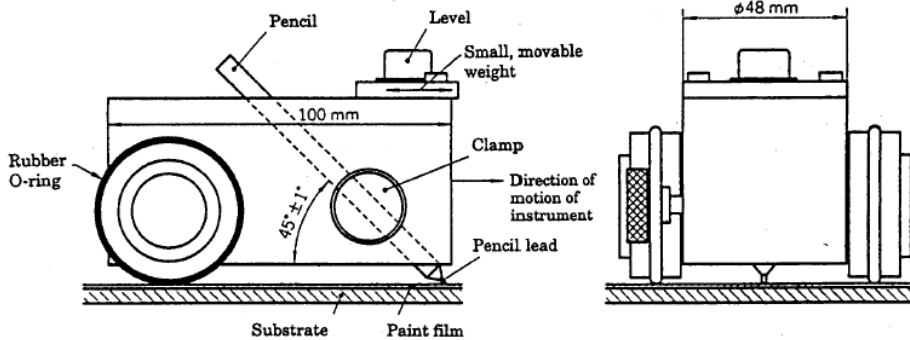
## TEST REPORT

REPORT NO.: HV-11-05153X  
 PAGE: 2 OF 6  
 DATE: AUGUST 23, 2011

### (1) Hardness by Pencil Test

Test Equipment:

Name	Brand
Pencil	MITSU-BISHI uni



Lab Environmental Conditions:

Ambient Temperature: 23±2°C  
 Relative humidity: 50±5% RH

Test Method/ Specification:

JIS K5400(1990) Testing Methods for Paints (Scratch Hardness)

The variety of pencil hardness:

6B - 5B - 4B - 3B - 2B - B - HB - F - H - 2H - 3H - 4H - 5H - 6H - 7H - 8H - 9H  
 Soft ←-----→ Hard

Load: 500 g

Test Result:

Above 9H

## TEST REPORT

REPORT NO.: HV-11-05153X  
PAGE: 3 OF 6  
DATE: AUGUST 23, 2011

### (2)Alkali Resistance

#### Lab Environmental Conditions:

Ambient temperature: 23±2°C  
Relative humidity: 50±5% RH

#### Test Method:

JIS K5400(1990) Testing Methods for Paints

#### Test conditions:

Test reagent: 5% Na<sub>2</sub>CO<sub>3</sub>  
Test temperature: 23 °C  
Test time: 24 hour

※Examine the appearance of specimen(s) by visual check

#### Test Result:

No visible damage.

## TEST REPORT

REPORT NO.: HV-11-05153X  
PAGE: 4 OF 6  
DATE: AUGUST 23, 2011

### (3) Acid Resistance

#### Lab Environmental Conditions:

Ambient temperature: 23±2°C  
Relative humidity: 50±5% RH

#### Test Method:

JIS K5400(1990) Testing Methods for Paints

#### Test conditions:

Test reagent: 5% H<sub>2</sub>SO<sub>4</sub>  
Test temperature: 23 °C  
Test time: 24 hour  
※Examine the appearance of specimen(s) by visual check

#### Test Result:

No visible damage.

## TEST REPORT

REPORT NO.: HV-11-05153X  
PAGE: 5 OF 6  
DATE: AUGUST 23, 2011

### (4)Salt solution resistance

#### Lab Environmental Conditions:

Ambient temperature: 23±2°C  
Relative humidity: 50±5% RH

#### Test Method:

JIS K5400(1990) Testing Methods for Paints

#### Test conditions:

Test reagent: 5% NaCl solution  
Test temperature: 23 °C  
Test time: 96 hour  
※Examine the appearance of specimen(s) by visual check

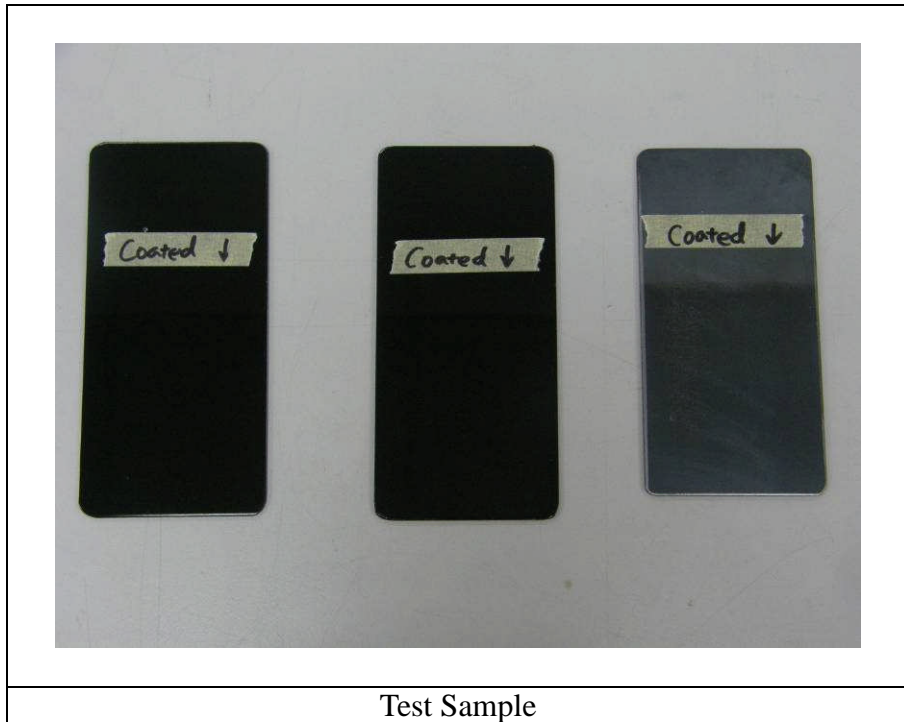
#### Test Result:

No visible damage.

## TEST REPORT

REPORT NO.: HV-11-05153X  
PAGE: 6 OF 6  
DATE: AUGUST 23, 2011

Test Photo:



— The End of Test Report —